

New perspectives with
Danfoss Saginomiya XGE fan control



Reliable and compact



XGE Fan speed controller

- Compact design
- Male or female pressure connection
- Easy setting and adjustment
- Simple and easy electrical connection

XGE FAN CONTROL

Fan speed control is becoming increasingly widespread in different refrigeration and air conditioning units, with the benefits of reduced noise and stable condensing pressures under different climatic conditions.

For compact units, the new XGE from Danfoss Saginomiya provides the ideal solution for reliable fan control.

With XGE, fan control has never been easier to implement. It can be mounted directly onto the refrigeration line, adjustment is made by the turn of a setting screw, and electrical connection is very versatile. It can also be panel mounted where space is insufficient on the refrigeration line. It can be used for all the commonly used refrigerants, including R410A.

This installation and application flexibility provides the ideal solution for many different types of condensing and air conditioning units.

RELIABLE PERFORMANCE

Designed by Saginomiya in Japan, the new XGE complements the already well established range of RGE fan speed controllers, maintaining the excellent performance and reliability record. Extensive performance testing under different conditions, and stringent quality control procedures ensure trouble free operation for many years.

For example, prevention of overheating is extremely important in such compact controllers, and a specially designed heat dissipation radiator is placed on the side of the controller, ensuring no overheating and a longer product lifetime.

In addition, XGE is fitted with an electro-magnetic suppression filter meeting the requirements of the CE and EMC directives.

FEATURES

Max current	3A*
Min current	0,2A
Enclosure	IP 65
Max working pressure	47 bar
Supply frequency	50/60 Hz
Operating ambient temp.	-20 to 55°C
Fluid temperature	-20 to 70°C
Power supply	200-240 VAC
Pressure connection	7/16-20UNF female (with depressor pin) an male
Max voltage output	95% of supply voltage
Cut off / Min speed	45% of supply voltage for 50Hz 35% of supply voltage for 60Hz

* NOTE: XGE can also be used for 4A rated fans provided the ambient temperature does not exceed 40°C.

Please contact Danfoss Saginomiya regarding the maximum ambient temperature limits at ratings between 3A and 4A

EASE OF SETTING AND ADJUSTING

The easily accessible adjusting screw is situated on the top surface of XGE. The direction to turn the screw for decrease or increase in the setting pressure is indicated by arrow markings next to the adjusting screw.

Every turn of the adjusting screw corresponds to a specified change in the setting value. A punch hole on the adjusting screw helps keep track of the number of turns made.

Series	360° = 1 turn
XGE - 4	approx. 1,2 bar
XGE - 6	approx. 1,6 bar



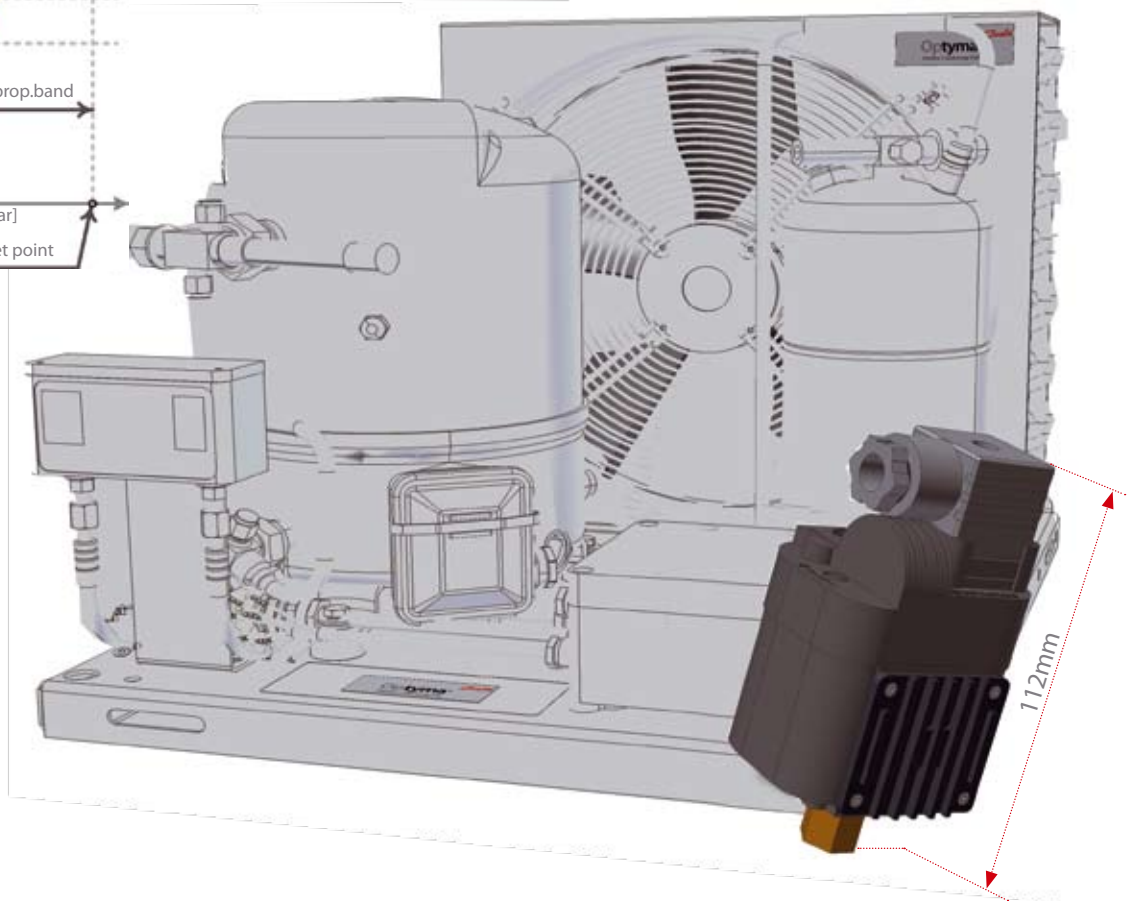
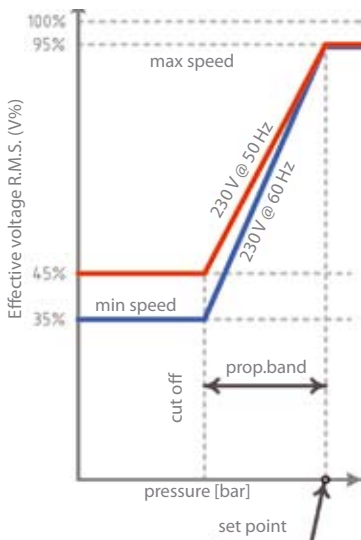
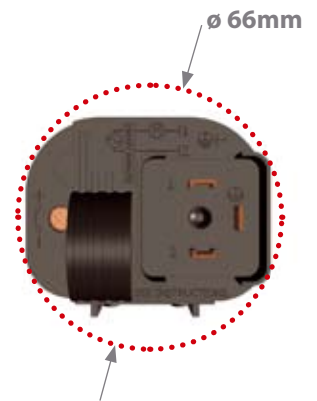
COMPACT AND LIGHT-WEIGHT

The compact design of XGE provides versatile installation possibilities where space is at a premium. The horizontal space occupied by XGE, in any orientation, is equivalent to a circular diameter of only 66mm.

The height of the controller is 90mm, and when the plug is fitted, only 112mm of vertical space is occupied. Combined with the light weight (180g), the XGE is ideally suited for installation on refrigeration lines without excess stress on the pipework.

WIDE APPLICATION POSSIBILITIES

Code number	Catalogue number	Pressure connection	Factory setting	Refrigerant	Adjusting range	Prop. band	Mode
061H3140	XGE-4C	female	19	R22, R134a, R404A, R407C	10-25	6	Cut-off
061H3142	XGE-4CB	male	19	R22, R134a, R404A, R407C	10-25	6	Cut-off
061H3160	XGE-6C	female	28	R410A	22-39	7	Cut-off
061H3162	XGE-6CB	male	28	R410A	22-39	7	Cut-off
061H3240	XGE-4M	female	19	R22, R134a, R404A, R407C	10-25	6	Min speed
061H3242	XGE-4MB	male	19	R22, R134a, R404A, R407C	10-25	6	Min speed
061H3260	XGE-6M	female	28	R410A	22-39	7	Min speed
061H3262	XGE-6MB	male	28	R410A	22-39	7	Min speed



INSTALLATION FLEXIBILITY

The XGE is designed to be directly mounted onto the refrigeration line making the most of free space in a unit. In cases where space is even more limited, XGE can be fixed onto a simple bracket (supplied as an accessory) and screwed to a panel.



Panel mounting bracket

Code number	Catalogue number
061H3102	XGE-AE01

EASY WIRING AND ELECTRICAL CONNECTION

Electrical connection of XGE to the fan motor is simple and easy.

With the use of a square "quick connect" plug, the connection is possible in 4 different directions, allowing many different machine configurations to accommodate XGE, depending on the position of the fan motor and orientation needed for the electrical cable.

For wiring, a simple diagram is embossed onto the XGE surface and also indicated on the plug.



Danfoss Saginomiya Sp. z o.o. • ul. Chrzanowska 5; 05-825 Grodzisk Mazowiecki Poland • Phone +48 (22) 7550 500
 Fax +48 (22) 7550 505 • info@danfoss-saginomiya.com, www.danfoss-saginomiya.com

Danfoss / Danfoss Saginomiya can accept no responsibility for possible errors in catalogues, brochures and other printed material. Danfoss / Danfoss Saginomiya reserves the right to alter its products without notice. This also applies to products already on order provided that such alterations can be made without subsequential changes being necessary in specifications already agreed. All trademarks in this material are property of the respective companies. Danfoss / Danfoss Saginomiya and Saginomiya and the logotypes are trademarks of Danfoss A/S and Saginomiya. All rights reserved.